

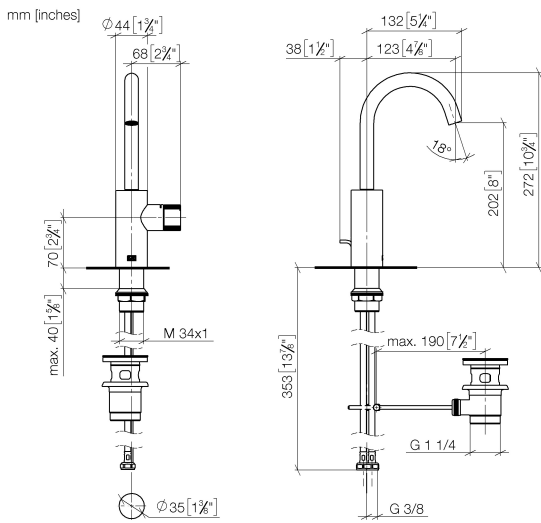
33 510 665



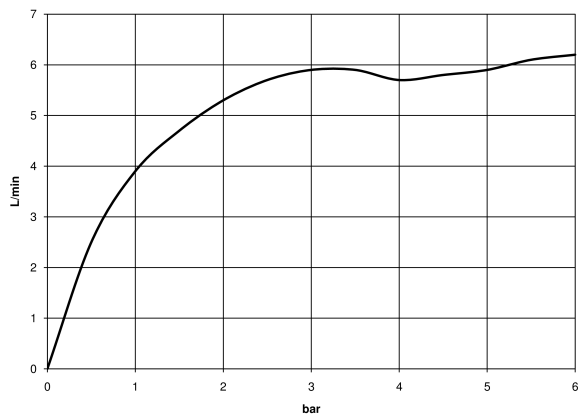
- 123mm projection
- progressive cartridge
- pivotable spout 360°
- circular, air-enriched flow
- height of mixer 272 mm
- height up to aerator 202 mm
- hole diameter 35 mm
- 2x screw-in M 8 x 1 pressure hose, leak-tested
- max. flow 5.7 l/min
- lead-free
- This product can help a building meet the requirements of Green Building Rating Systems, e.g. LEED®, BREEAM®, DGNB

Only suitable for basins with an overflow.

33 510 665



Flow rate chart

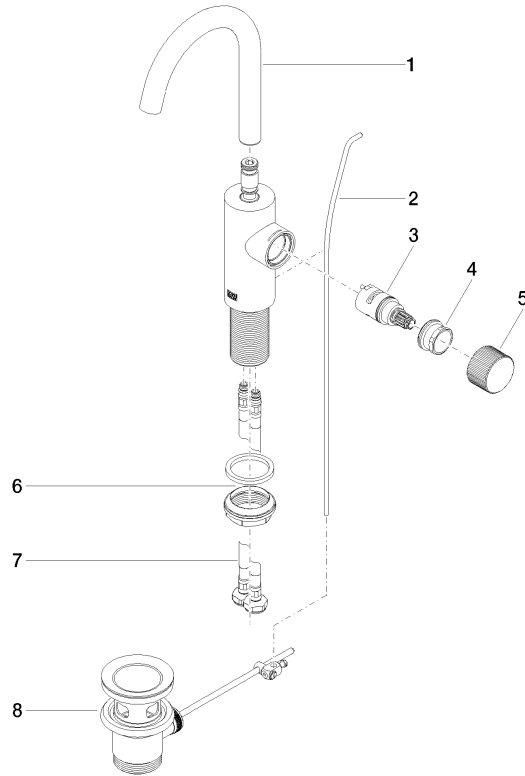


Certificates

LGA_29708.

WRAS_2004019.

33 510 665



Spare parts list

No.	Item Number	Name	Quantity used	Delivery time
1	90 28 22 321 00-33	spout	1	30
2	09 31 09 110-33	pull-rod	1	30
3	90 90 03 169 00 90	top	1	2
4	09 24 04 528 90	nut	1	60
5	09 20 66 011-33	handle	1	30
6	04 23 10 044 07 90	fixing set	1	2
7	04 30 04 100 00 90	hose	2	2
8	90 11 01 001 00-33	pop-up waste	1	30